

**60cm multi-function 3 stainless steel gas fan forced oven with separate grill, programmable timer, knob controls and 80L gross capacity.**

RRP AUS \$2,499.00 AUS \$2,499.00



## Product Details

### FEATURES

---

Handy separate grilling compartment

Programmable timer

Easy guide side racks

Cooler to Touch Doors

---

80L gross capacity

Knob control

Stainless Steel Finish

---

### BENEFITS

---

**You set, we will do the rest**

Our programmable timer gives you the flexibility to set when you would like to cook and how long you would like to cook for.

**Place your shelves in with ease**

Our easy guide side racks allow you to place your oven shelves in with ease.

---

**Cooler to touch oven doors**

Beautifully designed with Australian families in mind, the multi-layer glazing of our oven doors are cooler to the touch when the oven is hot.

**Family meals made easy**

With room for the family roast or a delicious dessert, our 80L capacity in our 60cm oven range gives you to make every mealtime easy and full of flavour.

---

**Built in Australia**

Westinghouse, has been the heart of the home for generations and the kitchen appliance brand we have always known and trusted to build reliable products. This oven is built in a local factory in Adelaide.

---

## Specifications

### PRODUCT PROFILE

---

Domestic warranty details (yrs)	2
Type of Oven	separate grill wall oven
Oven fuel	gas
Materials/Colour	stainless steel
Controls of Oven	control knob,3 button touch control LED
Cooling fan	Yes

### FLUSH FIT CUT OUT

---

Flush fit cut out height (mm)	893
Flush fit cut out width (mm)	600
Flush fit cut out depth (mm)	581

### MAIN OVEN

### DIMENSIONS

---

#### PRODUCT DIMENSION

---

Total height (mm)	888
Total width (mm)	596
Total depth (mm)	573

### PROUD FIT CUT OUT

---

Proud fit cut out height (mm)	885
Proud fit cut out width (mm)	565
Proud fit cut out depth (mm)	560

### SECOND OVEN OR GRILL

## MAIN OVEN

Gross capacity litres	80
Useable capacity litres	72
Oven function	fan forced
Number of functions	3
Oven Functions	traditional bake,defrost,fan forced cooking
Timer functions	minute minder,Cook time,End time,Delayed start,Time of day,24 hour clock

## ELECTRICAL CONNECTION

Connected load KW	2.3
Maximum current rating (amps)	9.6
Type of connection	10A plug & lead

## SECOND OVEN OR GRILL

Oven Functions	grill
Fold down grill element	No
Closed door grilling	No
Shelf support	side rack
Number of shelf positions	3
Layers of glass in door	2

## OTHER FEATURES

Cleaning	easy clean door
Door	drop down
Timer	3 button touch control programmable timer
Lights	1
Light wattage	25
Light position	rear
Shelf support	Easy glide side racks

## OTHER FEATURES

---

Number of shelves	2
-------------------	---

---

Safety features	cool door,flame failure safety device
-----------------	---------------------------------------

---

Closed door grilling	No
----------------------	----

---

Fold down grill element	Yes
-------------------------	-----

---

Included accessories	grill/oven pan,2 x chromed wire shelf,baking tray,side racks,grill insert
----------------------	---

---

Layers of glass in door	2
-------------------------	---

---

Number of shelf positions	5
---------------------------	---

---

## SHIPPING

---

Shipping Weight (Kg)	51.0
----------------------	------

---

Pack Dimensions Height (mm)	960
-----------------------------	-----

---

Pack Dimension Width (mm)	635
---------------------------	-----

---

Pack Dimension Depth (mm)	670
---------------------------	-----

---

## STUFFING QUANTITIES

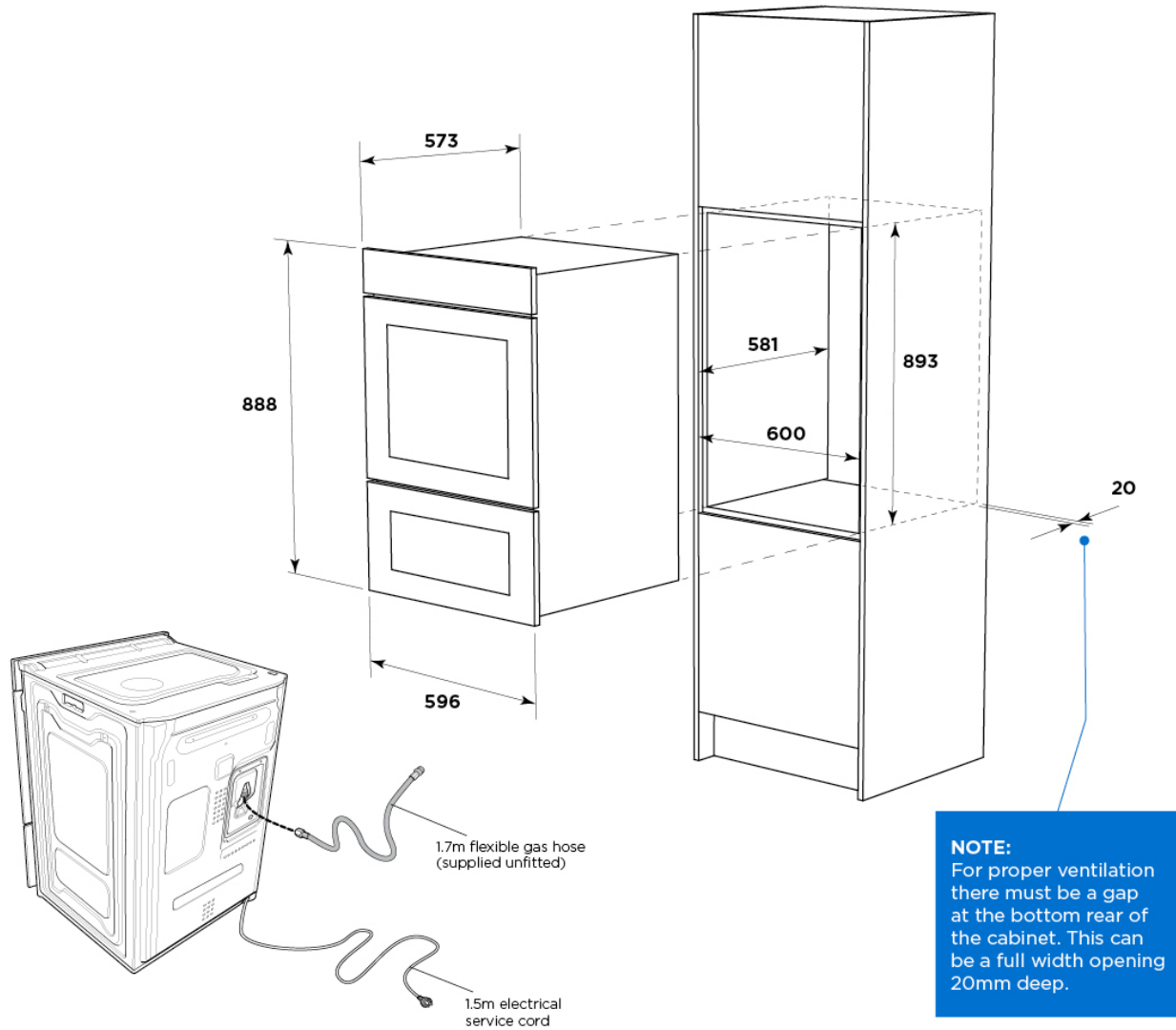
---

40ft	153
------	-----

---

# Dimensions

WVG665SC/WC



**IMPORTANT**

These dimensions are a guide only. All measurements are in millimetres (mm).  
For complete installation instructions, refer to the manual provided with product.