

**60cm multi-function 5 fan forced stainless steel gas oven with electric grill, 2 hour auto-off timer, knob controls and 80L gross capacity.**

RRP AUS \$1,599.00 AUS \$1,599.00



## Product Details

### FEATURES

---

Electric grill

2 hour auto-off timer

Easy guide side racks

Cooler to Touch Doors

---

80L gross capacity

Knob control

Stainless Steel Finish

---

### BENEFITS

---

Set your timer, we'll do the work

Designed to be simple to operate our 2 hour auto-off timer allows you to set your oven for up to 2 hours of cooking time with the ability to alert you and switch itself off.

Place your shelves in with ease

Our easy guide side racks allow you to place your oven shelves in with ease.

---

Cooler to touch oven doors

Beautifully designed with Australian families in mind, the multi-layer glazing of our oven doors are cooler to the touch when the oven is hot.

Family meals made easy

With room for the family roast or a delicious dessert, our 80L capacity in our 60cm oven range gives you to make every mealtime easy and full of flavour.

---

Built in Australia

Westinghouse, has been the heart of the home for generations and the kitchen appliance brand we have always known and trusted to build reliable products. This oven is built in a local factory in Adelaide.

---

## Specifications

### PRODUCT PROFILE

---

|                                 |                 |
|---------------------------------|-----------------|
| Domestic warranty details (yrs) | 2               |
| Type of Oven                    | single oven     |
| Oven fuel                       | gas             |
| Materials/Colour                | stainless steel |
| Controls of Oven                | control knob    |
| Cooling fan                     | Yes             |

---

### FLUSH FIT CUT OUT

---

|                               |     |
|-------------------------------|-----|
| Flush fit cut out height (mm) | 600 |
| Flush fit cut out width (mm)  | 600 |
| Flush fit cut out depth (mm)  | 581 |

---

### MAIN OVEN

### DIMENSIONS

---

#### PRODUCT DIMENSION

---

|                   |     |
|-------------------|-----|
| Total height (mm) | 595 |
| Total width (mm)  | 596 |
| Total depth (mm)  | 573 |

---

### PROUD FIT CUT OUT

---

|                               |     |
|-------------------------------|-----|
| Proud fit cut out height (mm) | 590 |
| Proud fit cut out width (mm)  | 565 |
| Proud fit cut out depth (mm)  | 560 |

---

### ELECTRICAL CONNECTION

## MAIN OVEN

---

|                       |    |
|-----------------------|----|
| Gross capacity litres | 80 |
|-----------------------|----|

---

|                         |    |
|-------------------------|----|
| Useable capacity litres | 72 |
|-------------------------|----|

---

|               |            |
|---------------|------------|
| Oven function | fan forced |
|---------------|------------|

---

|                     |   |
|---------------------|---|
| Number of functions | 5 |
|---------------------|---|

---

|                |             |
|----------------|-------------|
| Oven Functions | fan cooking |
|----------------|-------------|

---

|                 |                  |
|-----------------|------------------|
| Timer functions | Auto off ,Ringer |
|-----------------|------------------|

---

## GAS SPECIFICATIONS

---

|                                |      |
|--------------------------------|------|
| Oven burner output (NG)<br>Mjh | 10.5 |
|--------------------------------|------|

---

## ELECTRICAL CONNECTION

---

|                   |     |
|-------------------|-----|
| Connected load KW | 2.3 |
|-------------------|-----|

---

|                                  |     |
|----------------------------------|-----|
| Maximum current rating<br>(amps) | 9.6 |
|----------------------------------|-----|

---

|                    |                 |
|--------------------|-----------------|
| Type of connection | 10A plug & lead |
|--------------------|-----------------|

---

## OTHER FEATURES

---

|          |                 |
|----------|-----------------|
| Cleaning | easy clean door |
|----------|-----------------|

---

|      |           |
|------|-----------|
| Door | drop down |
|------|-----------|

---

|       |                           |
|-------|---------------------------|
| Timer | 120 minute auto off timer |
|-------|---------------------------|

---

|        |   |
|--------|---|
| Lights | 1 |
|--------|---|

---

|               |    |
|---------------|----|
| Light wattage | 25 |
|---------------|----|

---

|                |      |
|----------------|------|
| Light position | rear |
|----------------|------|

---

|               |                       |
|---------------|-----------------------|
| Shelf support | Easy glide side racks |
|---------------|-----------------------|

---

|                   |   |
|-------------------|---|
| Number of shelves | 2 |
|-------------------|---|

---

## OTHER FEATURES

---

|                 |                                       |
|-----------------|---------------------------------------|
| Safety features | cool door,flame failure safety device |
|-----------------|---------------------------------------|

---

|                      |     |
|----------------------|-----|
| Closed door grilling | Yes |
|----------------------|-----|

---

|                         |     |
|-------------------------|-----|
| Fold down grill element | Yes |
|-------------------------|-----|

---

|                      |   |
|----------------------|---|
| Included accessories | grill/oven pan,grill insert,2 x chromed wire shelf,baking tray,side racks |
|----------------------|---|

---

|                         |   |
|-------------------------|---|
| Layers of glass in door | 2 |
|-------------------------|---|

---

|                           |   |
|---------------------------|---|
| Number of shelf positions | 5 |
|---------------------------|---|

---

## SHIPPING

---

|                      |      |
|----------------------|------|
| Shipping Weight (Kg) | 36.0 |
|----------------------|------|

---

|                             |     |
|-----------------------------|-----|
| Pack Dimensions Height (mm) | 665 |
|-----------------------------|-----|

---

|                           |     |
|---------------------------|-----|
| Pack Dimension Width (mm) | 635 |
|---------------------------|-----|

---

|                           |     |
|---------------------------|-----|
| Pack Dimension Depth (mm) | 670 |
|---------------------------|-----|

---

## STUFFING QUANTITIES

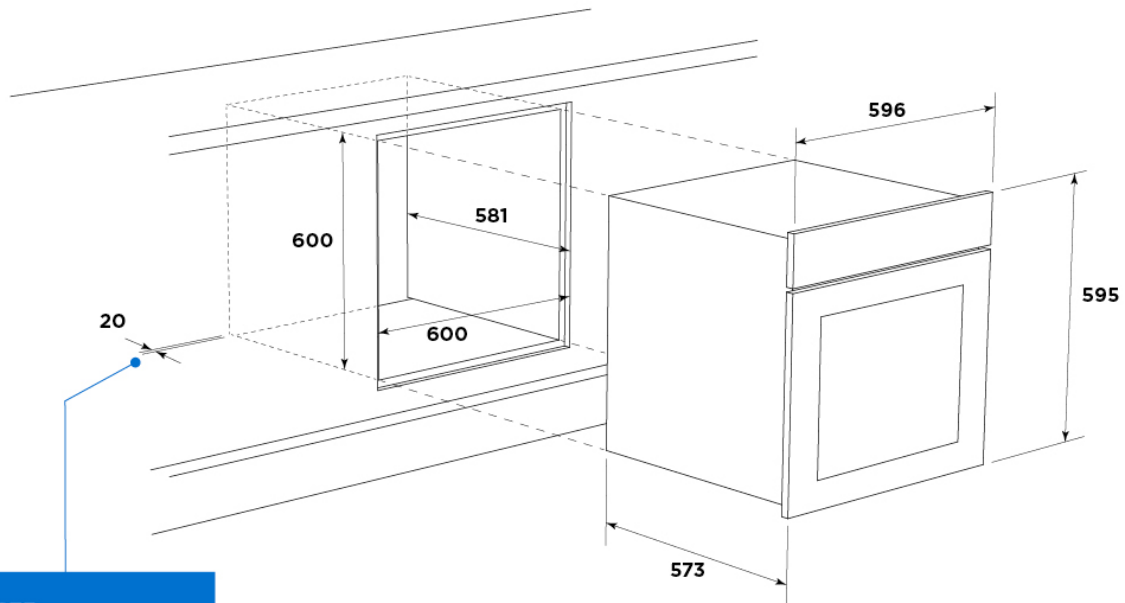
---

|      |     |
|------|-----|
| 40ft | 153 |
|------|-----|

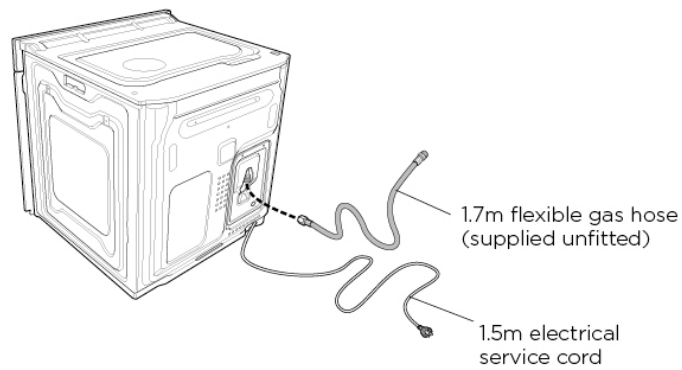
---

# Dimensions

WVG613SC/WC, WVG615SC



**NOTE:**  
For proper ventilation there must be a gap at the bottom rear of the cabinet. This can be a full width opening 20mm deep.



**IMPORTANT**

These dimensions are a guide only. All measurements are in millimetres (mm). For complete installation instructions, refer to the manual provided with product.

# Terms and Conditions

## IMPORTANT

This is a guide of product dimensions only. For complete installation instructions, refer to the manual provided with product.

## PRODUCT INFORMATION

The descriptors and illustrations in this publication apply to the specific products and models described as at the date of issue. Under our policy of continuous product development, product specifications may change without notice. Prospective purchasers should therefore check with their retailer to ensure this publication correctly describes the products that are being offered for sale. All information supplied is to be used for general reference purposes only and is on the understanding that Electrolux Home Products Pty Ltd (Australia) and Electrolux (NZ) Ltd (New Zealand) will not be liable for any loss, liability or damage of whatever kind arising as a result of reliance on such information. Colours of products illustrated are as close as printing limitations allow. Electrolux will at all times comply with its obligations pursuant to law including Trade Practices (Australian Consumer Law) Act and Regulations.

## WARRANTY

This warranty only applies to Appliances purchased and used in Australia or New Zealand and used in normal domestic applications and is in addition to (and does not exclude, restrict, or modify in any way) any non-excludable statutory warranties in Australia or New Zealand. All warranties are subject to the conditions set out in the warranty card accompanying the product when purchased.

### ELECTROLUX HOME PRODUCTS AUSTRALIA

telephone: 1300 363 640

fax: 1800 350 067

email: [customercare@electrolux.com.au](mailto:customercare@electrolux.com.au)

web: [www.electrolux.com.au](http://www.electrolux.com.au)

### ELECTROLUX HOME PRODUCTS NEW ZEALAND

telephone: 09 573 2230

fax: 09 573 2221

email: [customercare@electrolux.co.nz](mailto:customercare@electrolux.co.nz)

web: [www.electrolux.co.nz](http://www.electrolux.co.nz)