

**60cm multi-function 8 stainless steel oven with AirFry, telescopic runners and programmable timer.**  
RRP AUS \$1,149.00



## Product Details

### FEATURES

---

AirFry	Fast Heat Up	Telescopic Runners One set of telescopic runners	Programmable oven timer
Cooler to Touch Doors	Knob control	Stainless Steel Finish	80L gross capacity
Easy guide side racks			

---

### BENEFITS

---

**AirFry for that perfect, healthy crunch**  
When a food craving hits, make healthier and delicious food right in your oven. Deliver all the flavour and none of the guilt. AirFry allows you to make healthier, tasty meals for the entire family right in your oven.

**Programmable timer**  
The programmable timer gives the ability to plan your start and finish cooking time to the minute.

**Place your shelves in with ease**  
Our easy guide side racks allow you to place your oven shelves in with ease.

**Designed for ease and safety**  
Telescopic runners are another piece of thoughtful design that makes it easy to draw racks out and safely check on your dishes during cooking.

**Family meals made easy**  
With room for the family roast or a delicious dessert, our 80L capacity in our 60cm oven range gives you to make every mealtime easy and full of flavour.

**Built in Australia**  
Westinghouse, has been the heart of the home for generations and the kitchen appliance brand we have always known and trusted to build reliable products. This oven is built in a local factory in Adelaide.

## Specifications

### PRODUCT PROFILE

---

Domestic warranty details (yrs)	2
Type of Oven	single oven
Oven fuel	electric
Materials/Colour	stainless steel
Controls of Oven	3 button touch control LED,control knob
Cooling fan	Yes

---

### FLUSH FIT CUT OUT

---

Flush fit cut out height (mm)	600
Flush fit cut out width (mm)	600
Flush fit cut out depth (mm)	581

---

### MAIN OVEN

### DIMENSIONS

---

#### PRODUCT DIMENSION

---

Total height (mm)	597
Total width (mm)	596
Total depth (mm)	573

---

### PROUD FIT CUT OUT

---

Proud fit cut out height (mm)	590
Proud fit cut out width (mm)	565
Proud fit cut out depth (mm)	560

---

### ELECTRICAL CONNECTION

## MAIN OVEN

Gross capacity litres	80
Useable capacity litres	72
Oven function	multifunction
Number of functions	8
Oven Functions	fan grill,defrost,traditional bake,pizza,rapid heat,grill,fan forced cooking,AirFry
Oven liner	pyrolux high temperature enamel
Timer functions	minute minder,Cook time,End time,Delayed start,Time of day,24 hour clock
Light wattage	25

## OTHER FEATURES

Door	drop down,removable door,removable inner glass panes
Timer	3 button touch control programmable timer
Lights	1
Light wattage	25

## ELECTRICAL CONNECTION

Connected load KW	3
Maximum current rating (amps)	12.7
Type of connection	hardwired

## SHIPPING

Shipping Weight (Kg)	38.5
Pack Dimensions Height (mm)	665
Pack Dimension Width (mm)	635
Pack Dimension Depth (mm)	670

## OTHER FEATURES

---

Light position	rear
----------------	------

---

Telescopic runners	one
--------------------	-----

---

Shelf support	Easy glide side racks
---------------	-----------------------

---

Number of shelves	2
-------------------	---

---

Safety features	cool door
-----------------	-----------

---

Closed door grilling	Yes
----------------------	-----

---

Included accessories	grill/oven pan, 2 x chromed wire shelf, wire grill insert, side racks, baking tray, telescopic runners (1 set), AirFry tray
----------------------	---

---

Layers of glass in door	3
-------------------------	---

---

Number of shelf positions	5
---------------------------	---

---

## STUFFING QUANTITIES

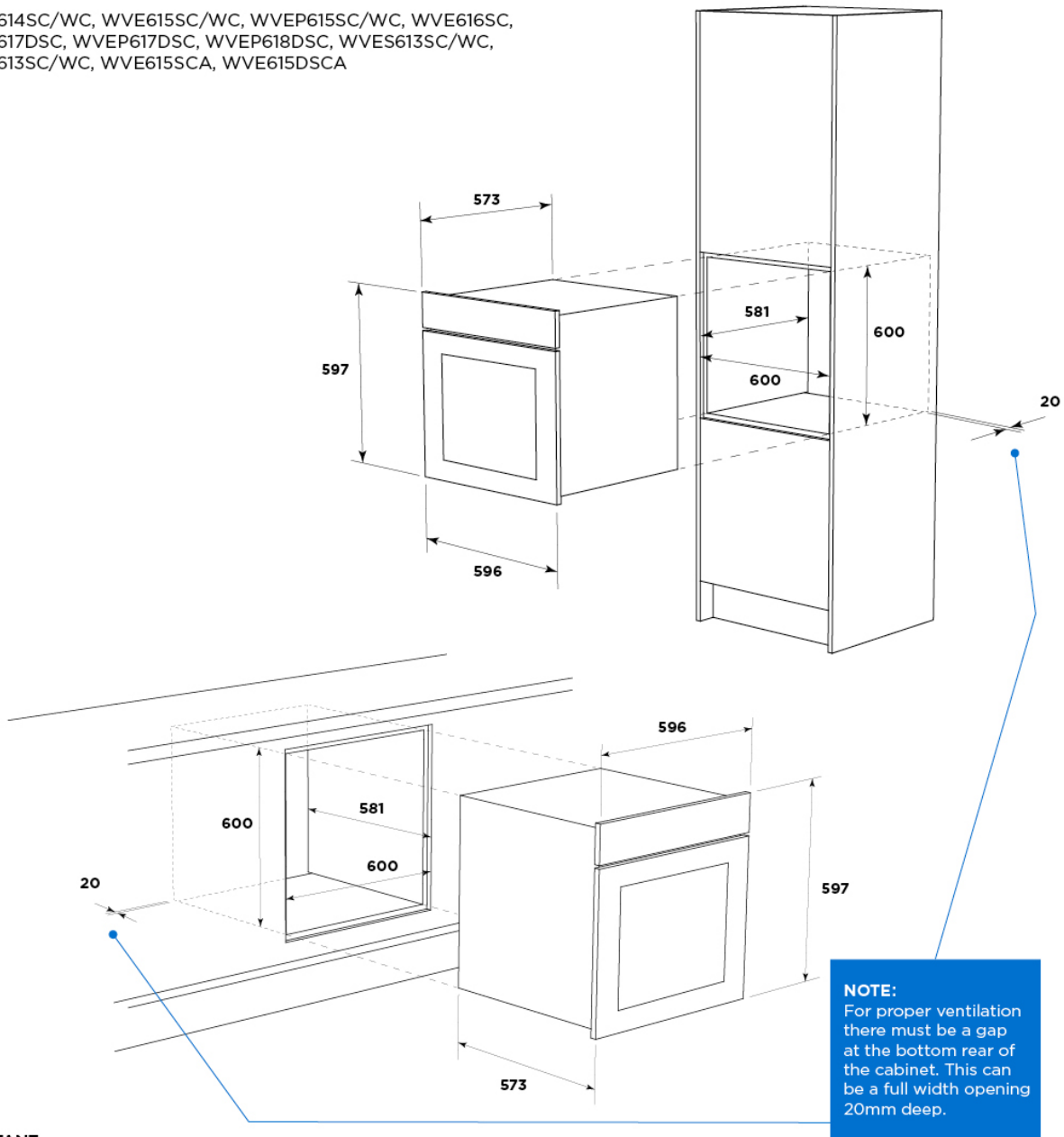
---

40ft	153
------	-----

---

# Dimensions

WVE614SC/WC, WVE615SC/WC, WVEP615SC/WC, WVE616SC,  
WVE617DSC, WVEP617DSC, WVEP618DSC, WVES613SC/WC,  
WVE613SC/WC, WVE615SCA, WVE615DSCA



**NOTE:**  
For proper ventilation there must be a gap at the bottom rear of the cabinet. This can be a full width opening 20mm deep.

**IMPORTANT**

These dimensions are a guide only. All measurements are in millimetres (mm). For complete installation instructions, refer to the manual provided with product.