

60cm freestanding dishwasher with 13 place settings, 6 wash programs, fast 30min wash, 47dB operation, half load top basket, height adjustable top basket, 3,6 or 9 hour delay start and Aquastop anti flood protection.

RRP AUS \$949.00



Product Details

FEATURES

Adjustable top basket

Fast wash cycles

Quiet operation

AquaStop antiflood protection

FlexZone

Delay Start - 3, 6 & 9 hours

BENEFITS

Faster wash, when you need it

When it comes to doing the dishes you can choose the program that suits you, whether you have a few dishes, half a load or a full load you can choose our Fast 30, Time Saver or Half Load program.

Less dishes use less water.

Every home is different, so is every load of dishes. Our FlexZone half-load wash option saves water and energy when you've got less dishes to wash.

Anti-flood for kitchen protection

Sometimes things are out of your control, our aqua control function is designed to step in when you need it most. The anti-flood device automatically cuts off the water to avoid flooding, ensuring your kitchen is looked after.

Specifications

PRODUCT PROFILE

Domestic warranty details (yrs)	2
---------------------------------	---

Type of Dishwashers	freestanding
---------------------	--------------

Design family (eline)	Family Size Dishwashers
-----------------------	-------------------------

Place settings	13
----------------	----

Drying system	active dry
---------------	------------

Number of spray arms	2
----------------------	---

Top shower	Yes
------------	-----

DIMENSIONS

Total height (mm)	850
-------------------	-----

Total width (mm)	598
------------------	-----

Total depth (mm)	598
------------------	-----

SPECIFICATION

Water efficiency star rating WELS	4.5
-----------------------------------	-----

Water consumption (litres)	11.8
----------------------------	------

Energy Star Rating	3
--------------------	---

Energy consumption cold water (kWhr/yr)	295
---	-----

Noise level dBA	47
-----------------	----

Water supply	cold or hot (maximum 60°C)
--------------	----------------------------

Basket colour	grey
---------------	------

Service cord length	180
---------------------	-----

WASH PROGRAMS

Number of Programs	6
--------------------	---

Programs	fast 30min,heavy,Time Save 50 minutes,eco 50 °C,pre-wash,Delicate
----------	---

Wash option	Delay End,Tablet
-------------	------------------

DIMENSIONS

Product height excluding removabile worktop (mm)	820
Height adjustment (mm)	20

CONTROL PANEL

Control panel type	Push button electronic
Top mounted control panel	No
Control panel finish	black
Knob or button finish	black
Display indicators	wash progress,rinse aid,End,service code,program selected,tablet function,Delay End

EXTERIOR

Door finish	stainless steel
Counter-balance door	Yes
Side colour	grey
Plinth colour (kickboard)	grey

FEATURES

Other Features	child lock on control panel
Water safety system	overflow protection,bottom catchment tray,anti-flood protection
Filter system	3 stage
Dispenser	detergent,rinse aid
Number of spray levels	5

UPPER BASKET

Upper basket features	adjustable top basket
Foldable cup shelves	4
Foldable Racks	0

EXTERIOR

Removable worktop	Yes
-------------------	-----

Worktop colour	grey
----------------	------

LOWER BASKET

Lower Basket Features	Modular Cutlery Basket
-----------------------	------------------------

Foldable Racks	4
----------------	---

SHIPPING

Shipping Volume (m3)	0.3822
----------------------	--------

Shipping Weight (Kg)	49
----------------------	----

Pack Dimensions Height (mm)	881
-----------------------------	-----

Pack Dimension Width (mm)	644
---------------------------	-----

Pack Dimension Depth (mm)	661
---------------------------	-----

HOSES

Inlet hose length	170
-------------------	-----

Drain hose length	180
-------------------	-----

extension hose	spare part
----------------	------------

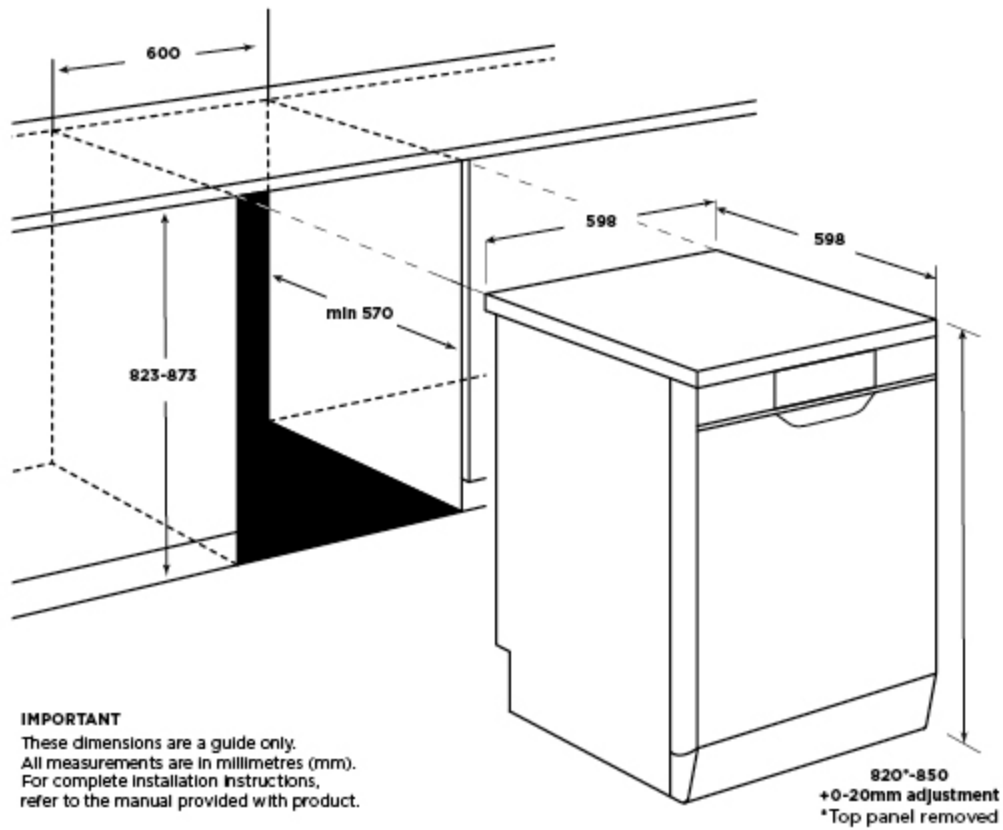
STUFFING QUANTITIES

20ft	48
------	----

40ft	102
------	-----

40ft HC	150
---------	-----

Dimensions



Terms and Conditions

IMPORTANT

This is a guide of product dimensions only. For complete installation instructions, refer to the manual provided with product.

PRODUCT INFORMATION

The descriptors and illustrations in this publication apply to the specific products and models described as at the date of issue. Under our policy of continuous product development, product specifications may change without notice. Prospective purchasers should therefore check with their retailer to ensure this publication correctly describes the products that are being offered for sale. All information supplied is to be used for general reference purposes only and is on the understanding that Electrolux Home Products Pty Ltd (Australia) and Electrolux (NZ) Ltd (New Zealand) will not be liable for any loss, liability or damage of whatever kind arising as a result of reliance on such information. Colours of products illustrated are as close as printing limitations allow. Electrolux will at all times comply with its obligations pursuant to law including Trade Practices (Australian Consumer Law) Act and Regulations.

WARRANTY

This warranty only applies to Appliances purchased and used in Australia or New Zealand and used in normal domestic applications and is in addition to (and does not exclude, restrict, or modify in any way) any non-excludable statutory warranties in Australia or New Zealand. All warranties are subject to the conditions set out in the warranty card accompanying the product when purchased.

ELECTROLUX HOME PRODUCTS AUSTRALIA

telephone: 1300 363 640

fax: 1800 350 067

email: customercare@electrolux.com.au

web: www.electrolux.com.au

ELECTROLUX HOME PRODUCTS NEW ZEALAND

telephone: 09 573 2230

fax: 09 573 2221

email: customercare@electrolux.co.nz

web: www.electrolux.co.nz