

**60cm 4 zone electric solid cooktop with knob controls, corrosion resistant solid hotplate, and easy to clean white enamel finish.**

RRP AUS \$549.00



## Product Details

### FEATURES

---

Corrosion resistant solid hotplate

Knob control

2.0kW powerful zone

Easy clean enamel

---

### BENEFITS

---

#### Corrosion resistant cooking

Made to be corrosion resistant, our solid cooktop hotplates deliver desired heat to your cooking whilst minimising wear and tear.

#### Big or small, you're covered

When it comes to cooking we know that there is a time and place for a small pot or pan whilst other times we need something a little larger. Our solid cooktops have you covered with two small and two large hotplates.

---

#### Smooth temperature control

With ease of use our control knobs allow you to adjust your cooking temperature smoothly.

#### Functional and durable

Our solid cooktops offer a reliable and easy to use solution for you to prepare your family's favourites.

---

## Specifications

### PRODUCT PROFILE

---

Domestic warranty details (yrs)	2
---------------------------------	---

---

Cooktop type	electric
--------------	----------

---

Materials/Colour	white enamel
------------------	--------------

---

Knob Finish	white
-------------	-------

---

### CONTROLS

---

Controls of Cooktops	knob
----------------------	------

---

Position of controls	right hand side
----------------------	-----------------

---

Indicators/display	heating lamp
--------------------	--------------

---

### LEFT REAR ZONE

---

Left rear zone	solid
----------------	-------

---

Left rear watts	2000
-----------------	------

---

### DIMENSIONS

---

Total product height (mm)	58
---------------------------	----

---

Total product width (mm)	600
--------------------------	-----

---

Total product depth (mm)	535
--------------------------	-----

---

Cut out width (mm)	570
--------------------	-----

---

Cut out depth (mm)	490
--------------------	-----

---

### ELEMENTS/BURNERS

#### LEFT FRONT ZONE

---

Left front zone	solid
-----------------	-------

---

Left front Watts	1500
------------------	------

---

#### RIGHT FRONT ZONE

---

Right front zone	solid
------------------	-------

---

Right front Watts	1500
-------------------	------

---

## RIGHT REAR ZONE

---

Right rear zone	solid
-----------------	-------

---

Right rear watts	1500
------------------	------

---

## SHIPPING

---

Shipping Weight (Kg)	9
----------------------	---

---

Pack Dimensions Height (mm)	112
-----------------------------	-----

---

Pack Dimension Width (mm)	686
---------------------------	-----

---

Pack Dimension Depth (mm)	600
---------------------------	-----

---

## ELECTRICAL SPECIFICATIONS

---

Connected load KW	6.5
-------------------	-----

---

Type of connection	hardwired
--------------------	-----------

---

## STUFFING QUANTITIES

---

20ft	540
------	-----

---

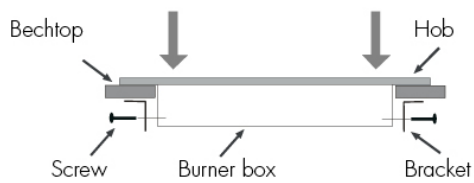
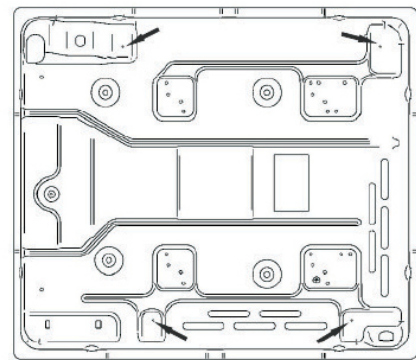
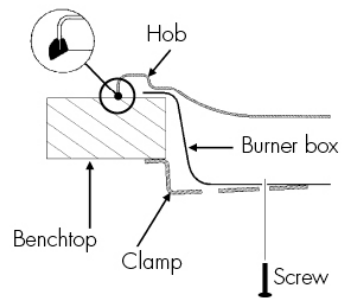
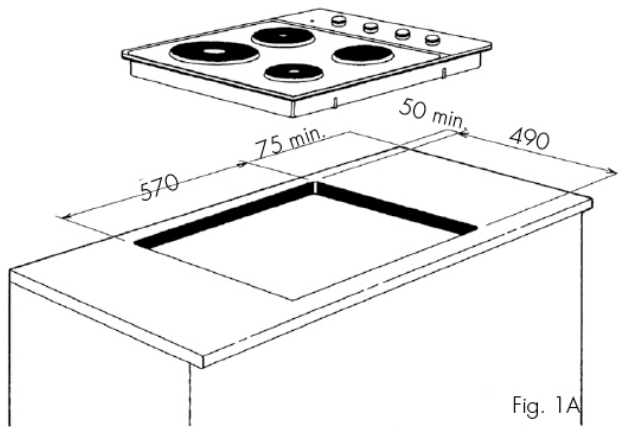
40ft HC	1254
---------	------

---

# Dimensions

## 60cm solid cooktops

WHS642SC/WC



**IMPORTANT**

These dimensions are a guide only. All measurements are in millimetres (mm). For complete installation instructions, refer to the manual provided with product.

# Terms and Conditions

## IMPORTANT

This is a guide of product dimensions only. For complete installation instructions, refer to the manual provided with product.

## PRODUCT INFORMATION

The descriptors and illustrations in this publication apply to the specific products and models described as at the date of issue. Under our policy of continuous product development, product specifications may change without notice. Prospective purchasers should therefore check with their retailer to ensure this publication correctly describes the products that are being offered for sale. All information supplied is to be used for general reference purposes only and is on the understanding that Electrolux Home Products Pty Ltd (Australia) and Electrolux (NZ) Ltd (New Zealand) will not be liable for any loss, liability or damage of whatever kind arising as a result of reliance on such information. Colours of products illustrated are as close as printing limitations allow. Electrolux will at all times comply with its obligations pursuant to law including Trade Practices (Australian Consumer Law) Act and Regulations.

## WARRANTY

This warranty only applies to Appliances purchased and used in Australia or New Zealand and used in normal domestic applications and is in addition to (and does not exclude, restrict, or modify in any way) any non-excludable statutory warranties in Australia or New Zealand. All warranties are subject to the conditions set out in the warranty card accompanying the product when purchased.

### ELECTROLUX HOME PRODUCTS AUSTRALIA

telephone: 1300 363 640

fax: 1800 350 067

email: [customercare@electrolux.com.au](mailto:customercare@electrolux.com.au)

web: [www.electrolux.com.au](http://www.electrolux.com.au)

### ELECTROLUX HOME PRODUCTS NEW ZEALAND

telephone: 09 573 2230

fax: 09 573 2221

email: [customercare@electrolux.co.nz](mailto:customercare@electrolux.co.nz)

web: [www.electrolux.co.nz](http://www.electrolux.co.nz)